

CDS

Self Priming Centrifugal Pump

**Super
T SERIES**

VARIOUS PATENTS APPLY

**Model T3A65S-B
Size 3" x 3"****PUMP SPECIFICATIONS****Size:** 3" x 3" (76 mm x 76 mm) NPT - Female.**Casing:** Stainless Steel CD4MCu.

Maximum Operating Pressure 86 psi (593 kPa).*

Semi-Open Type, Two Vane Impeller: Stainless Steel CD4MCu.

Handles 2 1/2" (63,5 mm) Diameter Spherical Solids.

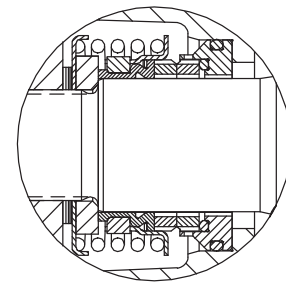
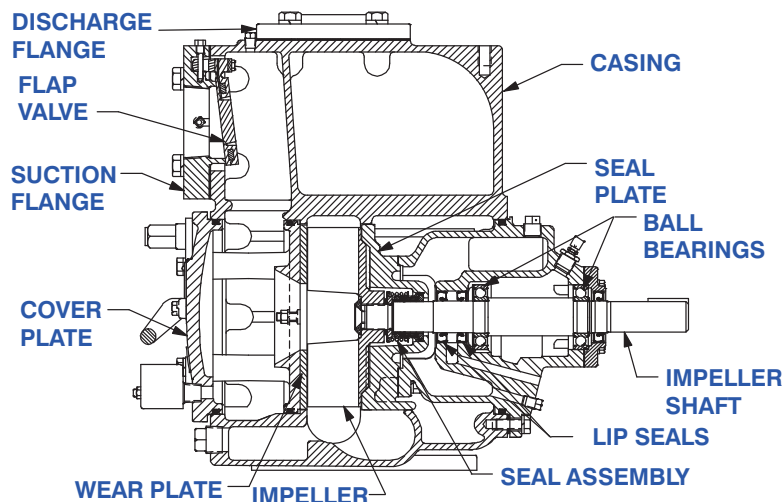
Impeller Shaft: Stainless Steel 17-4 PH.**Replaceable Wear Plate:** Stainless Steel CD4MCu.**Removable Adjustable Cover Plate:** Stainless Steel CD4MCu; 40 lbs. (18 kg).**Flap Valve:** Fluorocarbon (DuPont Viton® or Equivalent) w/Stainless Steel Reinforcing.**Seal Plate:** Stainless Steel CD4MCu.**Bearing Housing:** Stainless Steel CD4MCu.**Radial and Thrust Bearings:** Open Single Row Ball.**Bearing and Seal Cavity Lubrication:** SAE 30 Non-Detergent Oil.**Suction Flange:** Stainless Steel CD4MCu.**Discharge Flange:** Stainless Steel 316.**Gaskets:** Fluorocarbon (DuPont Viton® or Equivalent) and PTFE.**O-Rings:** Fluorocarbon (DuPont Viton® or Equivalent).**Hardware:** Stainless Steel 316.**Pressure Relief Valve:** Stainless Steel 316.**Bearing and Seal Cavity Oil Level Sight Gauges.****Optional Equipment:** Automatic Air Release Valve.

Metal Bellows Seal. 120V/240V Casing Heater. High

Pump Temperature Shutdown Kit. Self-Cleaning Wear Plate.

Stainless Steel CD4MCu Suction and Discharge

Spool Flanges:

3" ASA (**Specify Model T3A65S-B /F**).80 mm DIN 2527 (PN 16) (**Specify Model T3A65S-B /FM**).***Consult Factory for Applications Exceeding Maximum Pressure and/or Temperature Indicated.****Shown with Optional Suction & Discharge Spool Flanges (Available in ASA or DIN Standard Sizes).****SEAL DETAIL**

Mechanical, Oil-Lubricated, Double Floating, Self-Aligning. Silicon Carbide Rotating and Stationary Faces. Stainless Steel 316 Stationary Seat. Fluorocarbon Elastomers (DuPont Viton® or Equivalent). Stainless Steel 316 Cage and Spring. Maximum Temperature of Liquid Pumped, 160°F (71°C).*

**THE GORMAN-RUPP COMPANY • MANSFIELD, OHIO**

GORMAN-RUPP OF CANADA LIMITED • ST. THOMAS, ONTARIO, CANADA

www.grpumps.com

Specifications Subject to Change Without Notice

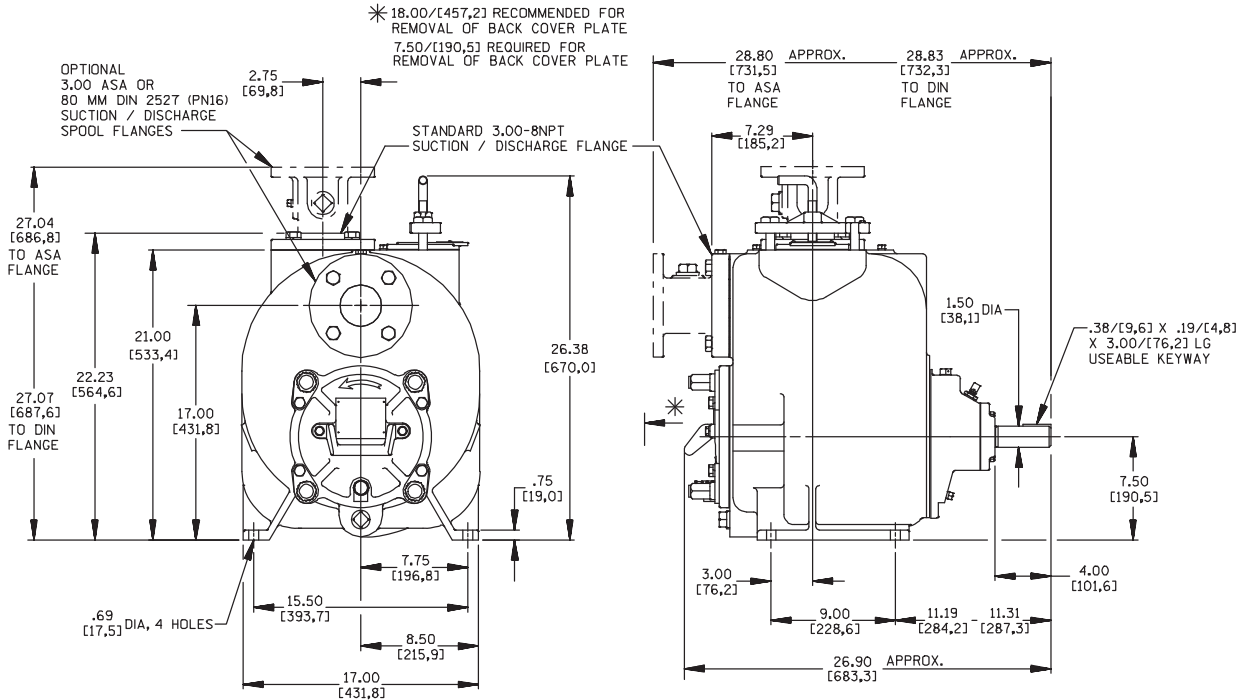
Printed in U.S.A.

Specification Data

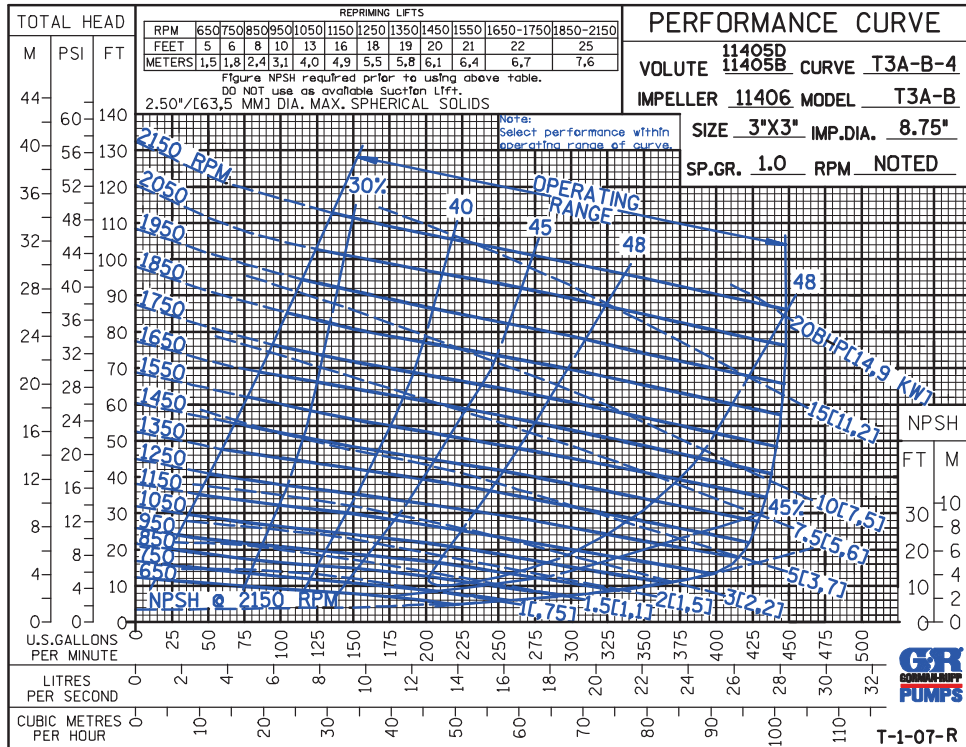
SECTION 55, PAGE 2030

APPROXIMATE DIMENSIONS and WEIGHTS

NET WEIGHT: 424 LBS. (192 KG.)*
SHIPPING WEIGHT: 472 LBS. (214 KG.)*
EXPORT CRATE: 19.3 CU. FT. (0.55 CU. M.)
***ADD 15 LBS. (6,8 KG.) W/EACH SPOOL FLANGE**



OPTIONAL ASA OR DIN STANDARD SUCTION & DISCHARGE SPOOL FLANGES AVAILABLE



THE GORMAN-RUPP COMPANY • MANSFIELD, OHIO

GORMAN-RUPP OF CANADA LIMITED • ST. THOMAS, ONTARIO, CANADA

Specifications Subject to Change Without Notice

Printed in U.S.A.